



Description

The motorized valve serie VB are used in heating and air-conditioning systems for the flow control of heated or chilled water and are motorized by the electrothermal actuator serie SVB. The small sizes allow easy installation in fan coils and terminal unit coils. The actuator-valve assembly is easily made thanks to its threaded ring nut, which allows a comfortable cable positioning.

Technical specifications valve VB

Medium	Hot and chilled water, water with up to 50% glycol
Fluid temperature	+2...+94°C
Nominal pressure	16 bar
Stroke	3 mm
Leakage	Perfect sealing
Connection type	Male thread
Installation position	See drawing
Maintenance	Free
Valve body	Forged brass
Valve stem	Stainless steel Aisi 301
Sealing	HNBR
Dimensions and weights	See schedule



Models	Thread	Ways	KVs	Max differential pressure (bar)
VB214	G 1/2	2	1.0	2.5
VB215	G 1/2	2	1.6	2.5
VB220	G 3/4	2	2.5	2.5
VB225	G 1"	2	4,5	2.5
VB314	G 1/2	3	1.0	2.5
VB315	G 1/2	3	1.6	2.5
VB320	G 3/4	3	2.5	2.5
VB325	G 1"	3	4,5	2.5
VB414	G 1/2	3 (4 ports)	1.0	2.5
VB415	G 1/2	3 (4 ports)	1.6	2.5
VB420	G 3/4	3 (4 ports)	2.5	2.5

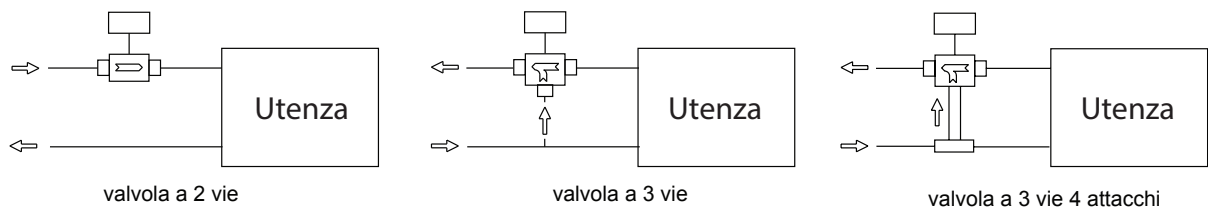
Technical specifications actuator SVB

Power consumption	2,5 W (by starting)
Stroke	4 mm (4,5 mm proportional version)
Running time	approx. 5 min.
Connection	Metal ring M30 x 1.5
Materials	Self-extinguishing V0
Cable	PVC 2 x 0,50 mm ²
Protection degree	IP54
Protection class	II
Working range RH	0...95% RH, non-condensing
Working range °C	-5...+50°C
Storage temperature	-25...+60°C
Standards	CE-conformity, RoHS

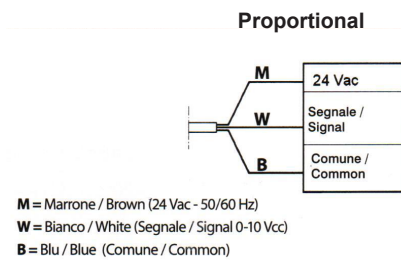
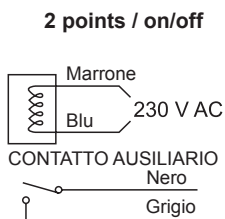
Models	Power supply	Action	Force	Contact rating
SVB230	230 V AC	2 punti / on/off	110 N	-
SVB230C	230 V AC	2 punti / on/off	110 N	Max 700 m A – 250 V AC
SVB24	24 V AC	2 punti / on/off	110 N	-
SVB24C	24 V AC	2 punti / on/off	110 N	Max 700 m A – 250 V AC
SVB24M	24 V AC	Modulante	170 N	-

Installation

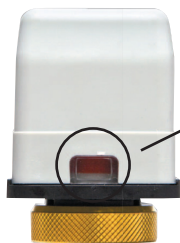
Before mounting the valve body be sure that the pipes are clean, free of soldering scraps and that the plug can glide freely. Note direction of flow reported on the valve body. 3-way-valves should be preferably used as mixing valves. The mounting diagrams are as following:



Wiring



Indication



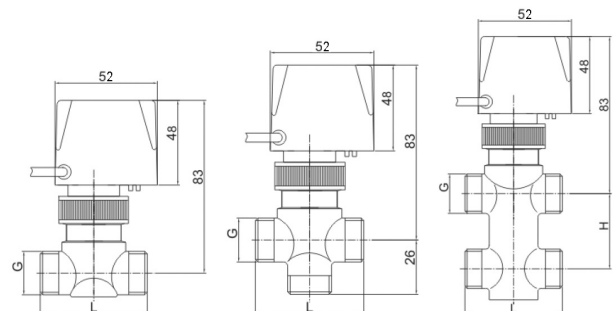
Stroke indicator

On the actuator there is a transparent window where the position of the valve stroke is indicated:

Red: Actuator off, direct way of valve close
 Black: Actuator on, direct way of valve open

Dimensions (mm)

Models	Way	L	G	H
VB215	2	52	G 1/2	
VB220	2	56,5	G 3/4	
VB225	2			
VB315	3	52	G 1/2	
VB320	3	56,5	G 3/4	
VB325	3			
VB415	3 (4 port)	52	G 1/2	40
VB420	3 (4 port)	56,5	G 3/4	50



The contents are subject to revision or change without notice.